



# BEDSHAPER

Designed for the row cropping industry, our Bed Shaper can be manufactured to your exact specifications to suit a wide range of applications.

Developed and refined over many years, it features improved durability with reduced wear on ground-engaging components. An optional fertiliser box can also be fitted to the top for added efficiency in the field.

## FEATURES & BENEFITS

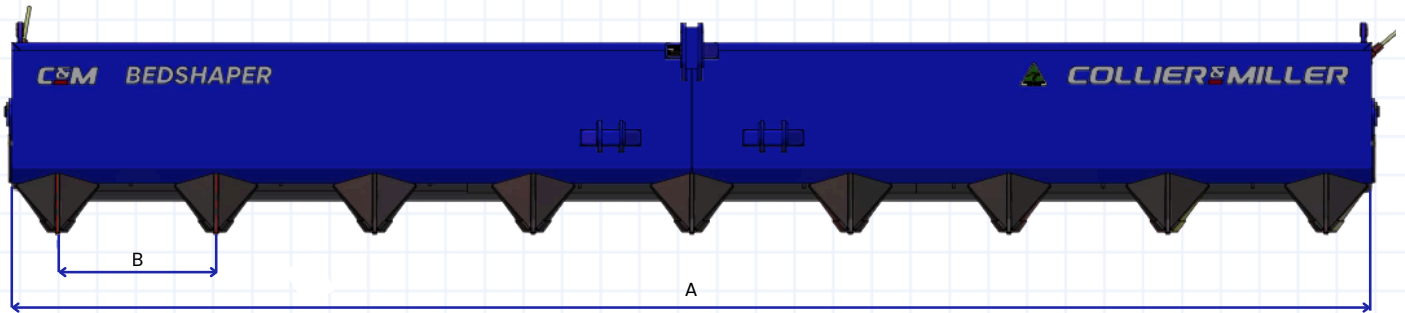
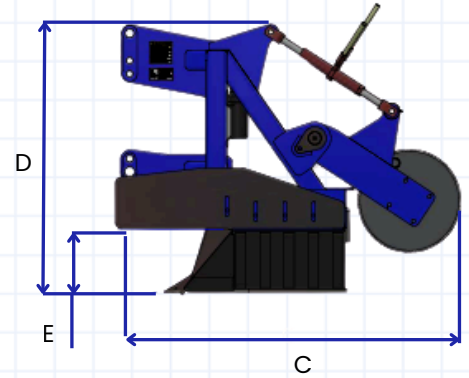
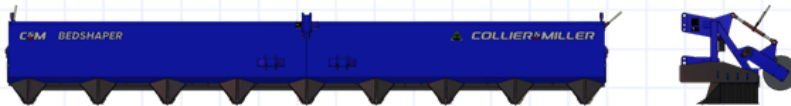
- Heavy Duty Construction
- Adjustable Rear Tail
- Wear Plates on all Boats
- Optional Fertiliser Boxes Fitted to Top Frame
- Ripper Points Fitted to Boats
- Manufactured to your Specifications
- Cat-3 / Cat-4 Linkage



**COLLIER & MILLER**



**SCAN FOR  
MORE INFO**



MODEL	CMBS6000	CMBS8000	CMBS12000
DESCRIPTION	6 row Bedshaper	40' Grader Board	45' Grader Board
NUMBER OF BOATS STANDARD	4	9	13
REAR ADJUSTING TAIL BOARD	Yes	Yes	Yes
CATEGORY LINKAGE	Cat3/4	Cat3/4	Cat3/4
WEAR PLATE FITTED TO BOATS	Yes	Yes	Yes
WEIGHT	1500 kg	1825 kg	2755 kg
MINIMUM TRACTOR HP	180HP	220HP	300HP
POWDER COATED FINISH	Yes	Yes	Yes
EXTRA BOATS FOR FURROWS	Available upon request	Available upon request	Available upon request
FERTILISER BOXES, TINES	Available upon request	Available upon request	Available upon request
DEEPER BOATS FOR COTTON ROWS	Yes	Yes	Yes
ROLLER ATTACHMENT	Available upon request	Available upon request	Available upon request
A = TOTAL WIDTH	6600mm	8600mm	12600mm
B = BOAT SPACING	1m/3ft/custom	1m/3ft/custom	1m/3ft/custom
C = TOTAL LENGTH	1200mm	1200mm	1200mm
D = TOTAL HEIGHT	1320mm	1320mm	1320mm
E = BOAT DEPTH	150 - 300mm	150 - 300mm	150 - 300mm

